



***DS SYSTEMS, s.r.o.***

***Belgická 3***

***Trnava, 917 01***

***Slovakia***



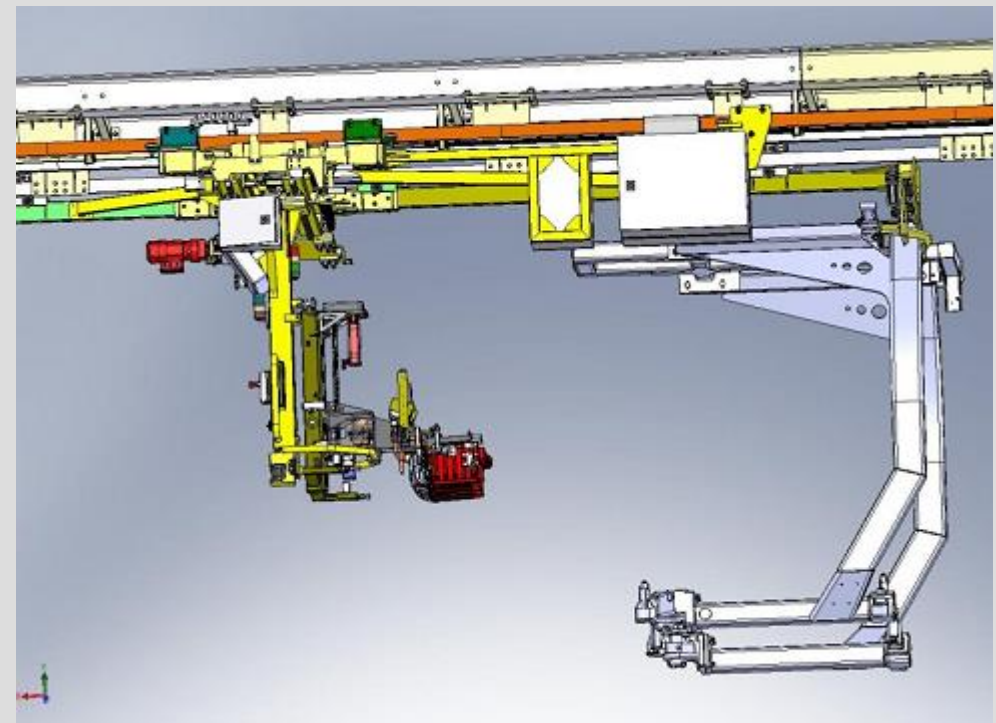
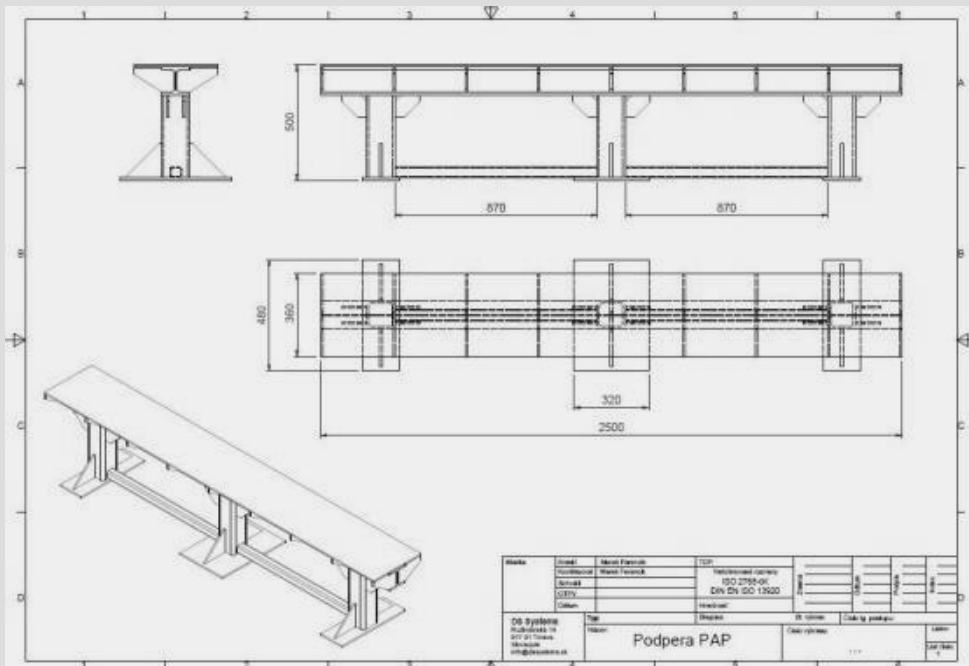
## *At first what about us...*

- *“ purely Slovak fund „*
- *Since 2004 company works in automotive industry*
- *young people team, 21 engineers, ready to solve problem...*
- *You can communicate in Slovak, Czech, French, English a German*
- *We`re working in branch of planning, documentation, production, from starting to final delivery of equipment in halls of Stamping, Welding , Painting, Assembly operations and Logistic.*
- *Annual turnover since 2004 by 2015 from 10 k€ to 3,9 M€*



# Construction- Design

## 2D / 3D



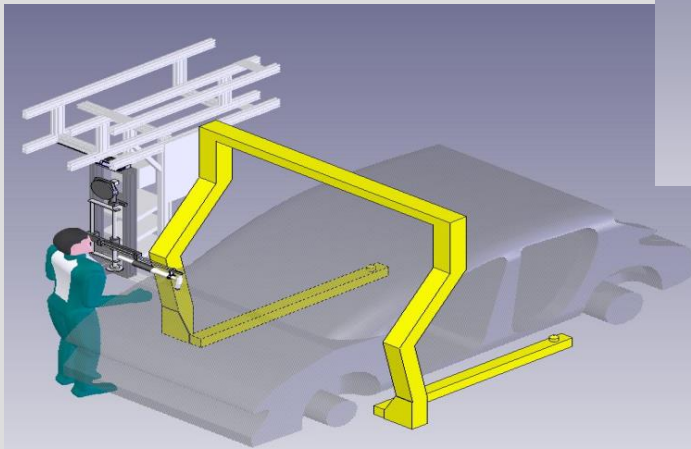
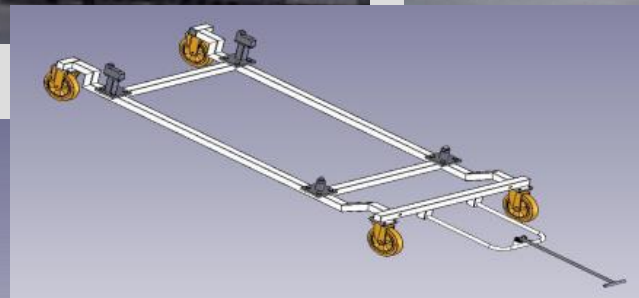
## *We supply :*

- *Small parts, tools, instruments (steel, aluminium, plastic)*
- *Control jigs ( mechanical, optical, ...)*
- *Dies for metal production ( cutting, progressive, shaping )*
- *Components for dies ( rails, punch knives, shear pins, guiding bush, spindles ...)*
- *Conveyors, transport systems and manipulators*
- *Production lines and single-purpose machines*
- *Steel structure ( racks, consoles, platforms... )*
- *The works according to client request ( painting, welding, installation, tests- evaluation, commissioning ...)*
- *Personal lease*





**PSA Trnava** - conveyors, racks, transport trucks, geometrical instrument for installation front lid, transport trucks, Manipulators and machines for screwing





**PSA Trnava** – Logistic - turntables, feeder structure, DEMAG creins, custom palets, stocking system, industry gates





**PSA Sochaux, PSA Rennes** - Complete acoustic shielding of stamping line



***PSA Trnava, PSA Sochaux, PSA Rennes , PSA Madrid – gravity buffers***

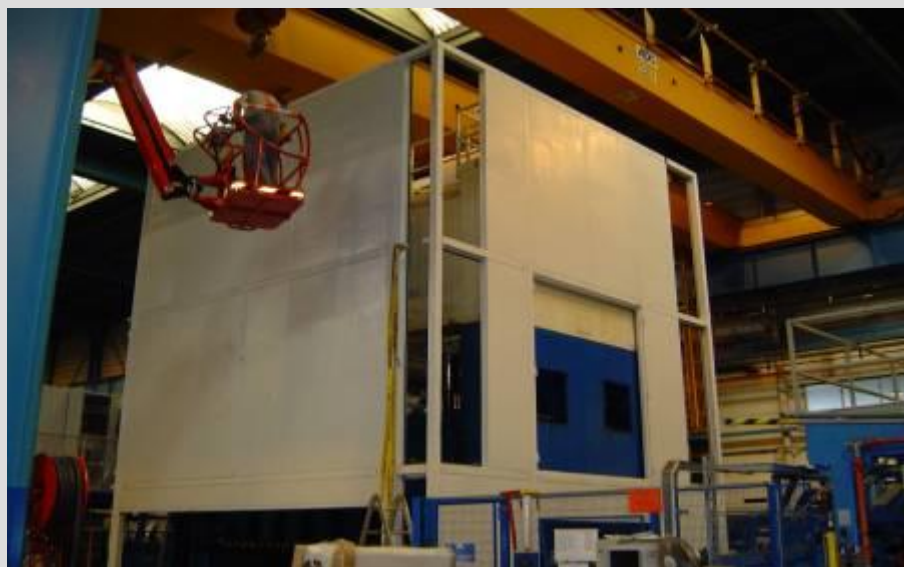
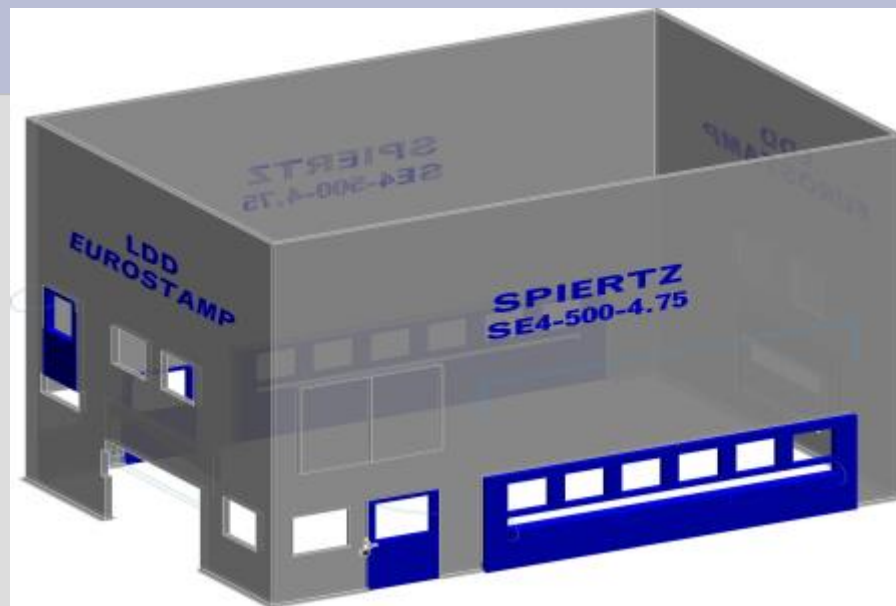
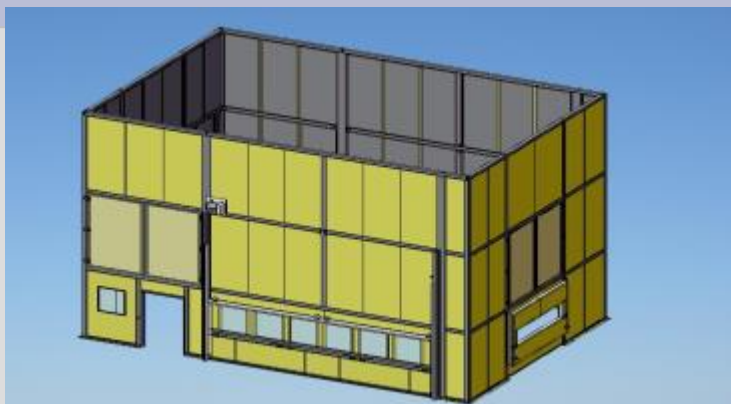




**PSA Sochaux** – stocking regals for metal plate /Stamping shop/

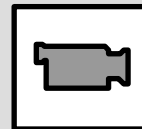


**EUROSTAMP** – Stamping hall – Acoustic shielding of shearing line





# SONY Nitra – Slovakia – Projection, design and fabrication of TV tuner's lines

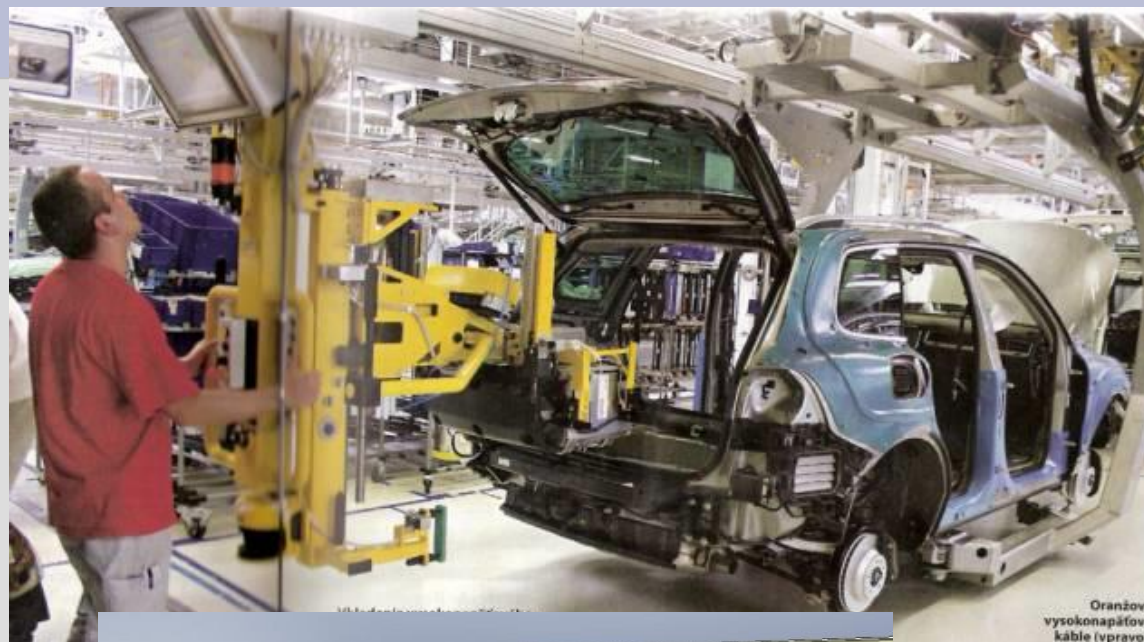


**Video sample**

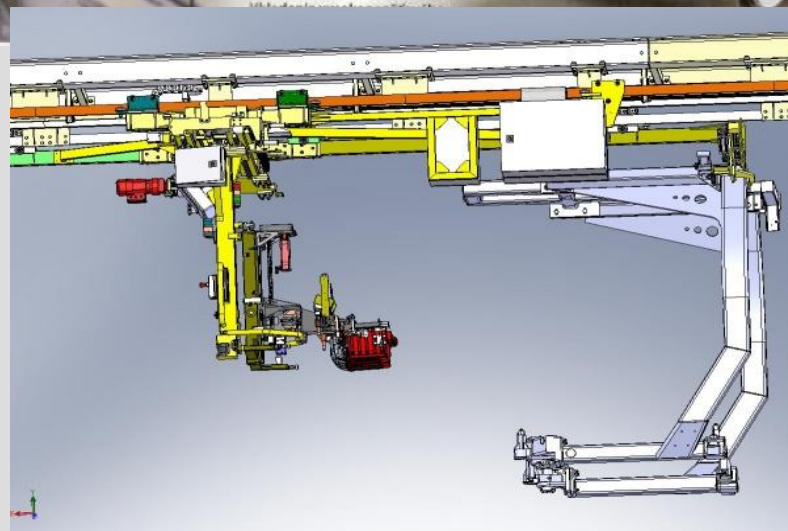
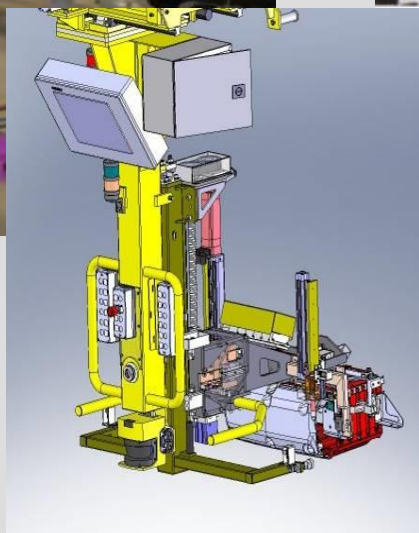




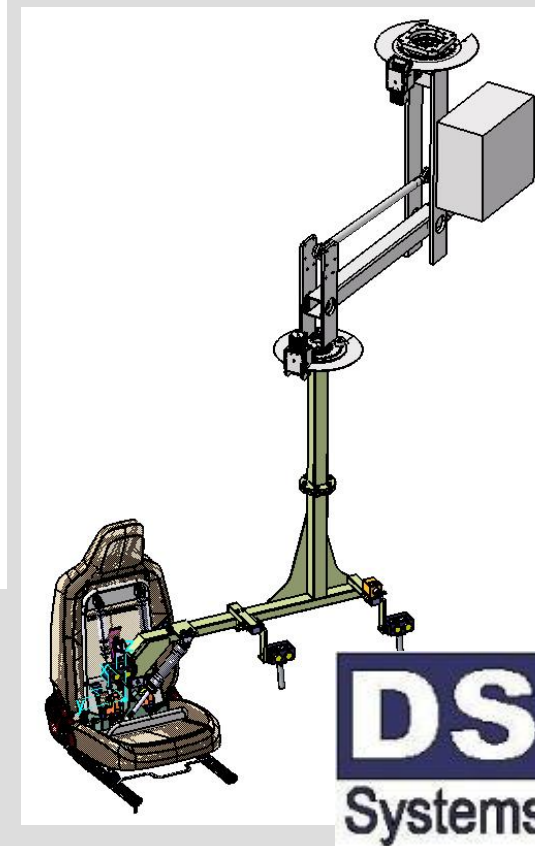
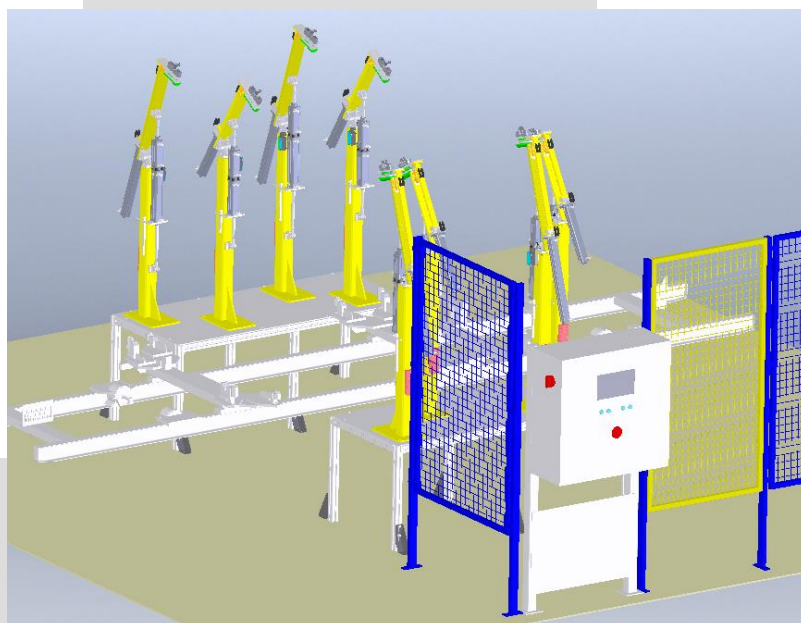
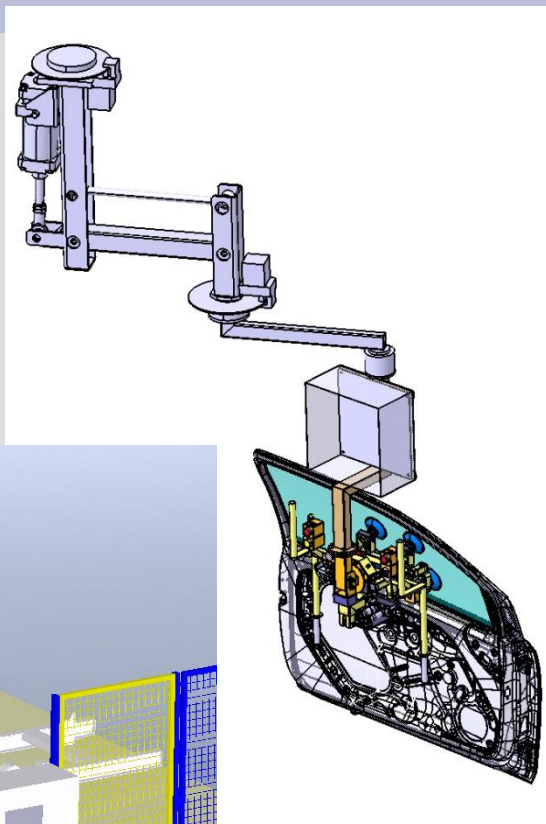
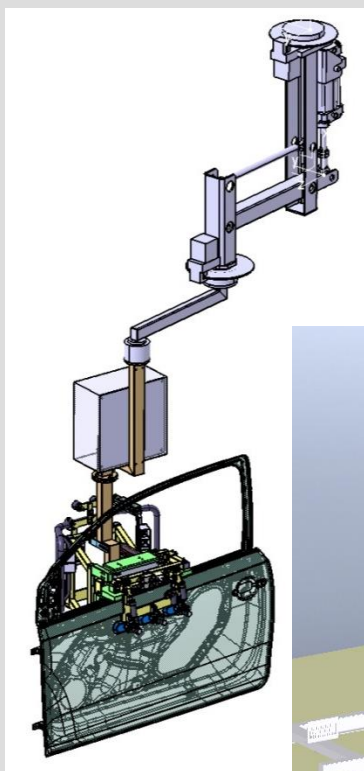
# VW Slovakia - Bratislava – Projection, design and fabrication of manipulator for loading the hybrid battery



Oranžové vysokonapäťové káble (vpravo).



**VW Bratislava – Slovensko** - Doors and seats manipulators, doors lock checking station



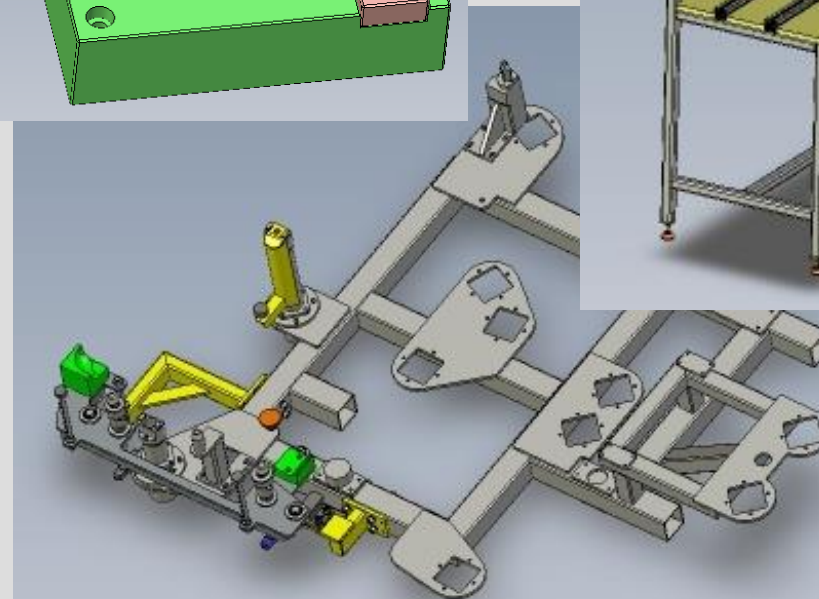
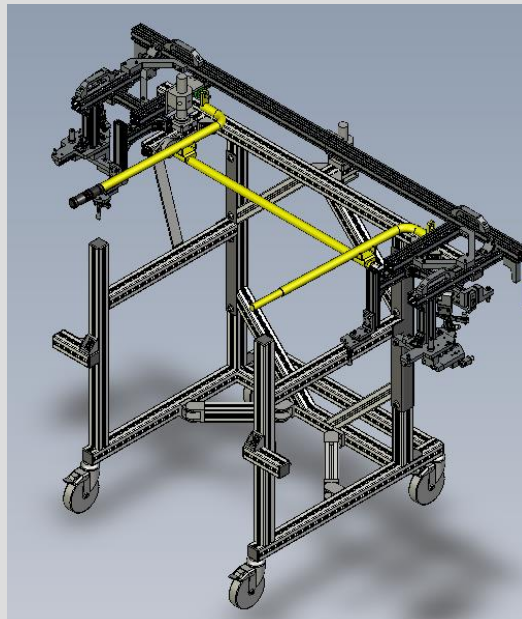
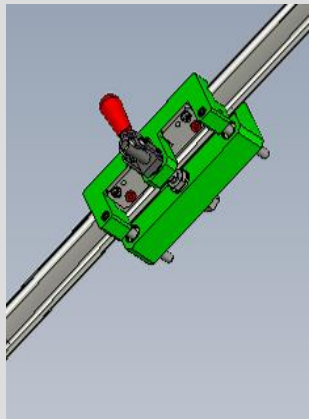
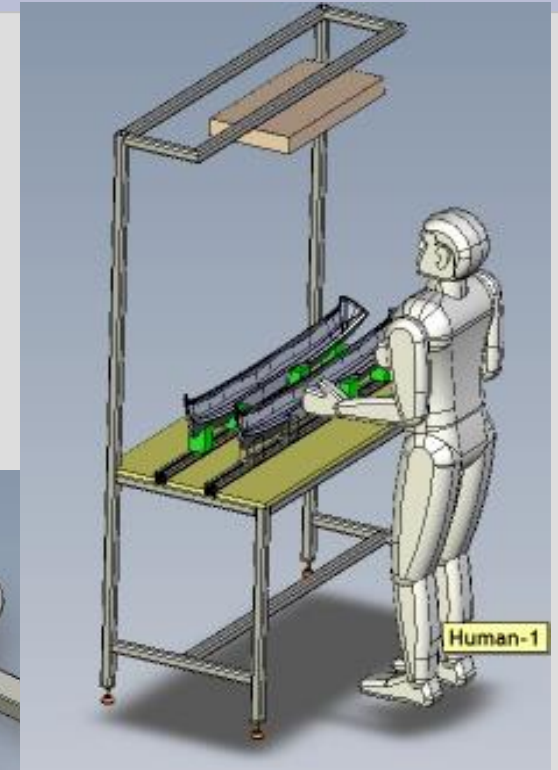
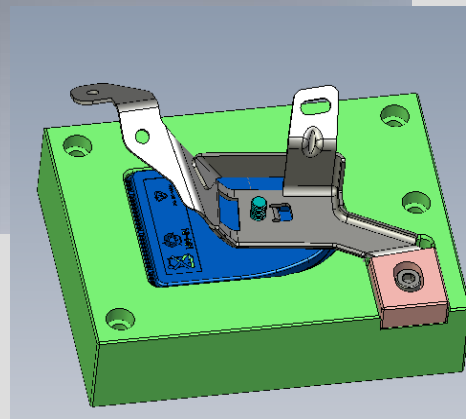
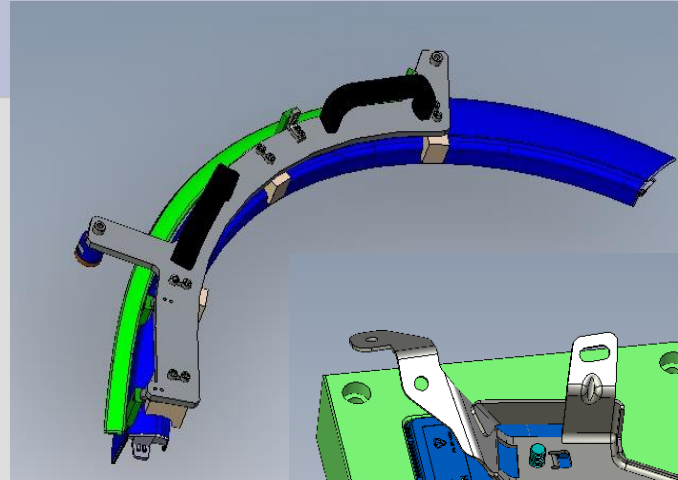
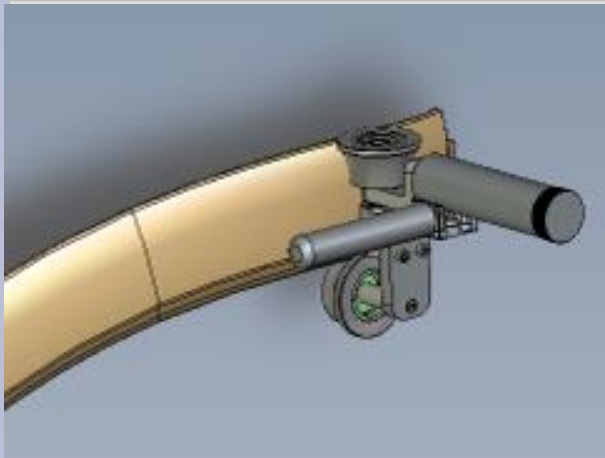


# VW Bratislava – Slovensko - Automatic transfer system for axle / 1palet 1,5t /

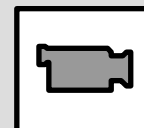




# VW Slovakia - Bratislava – Positioning, assemblage and setting appliances



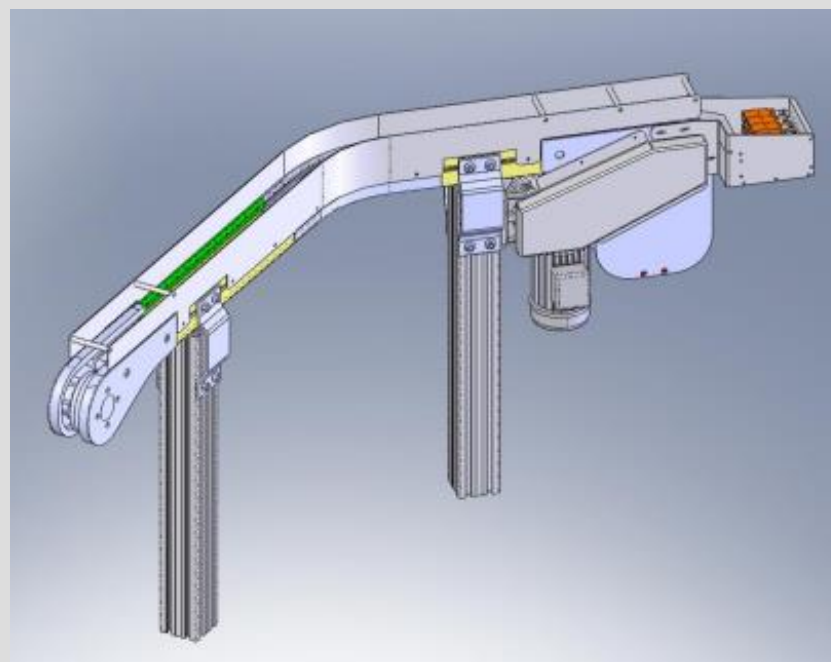
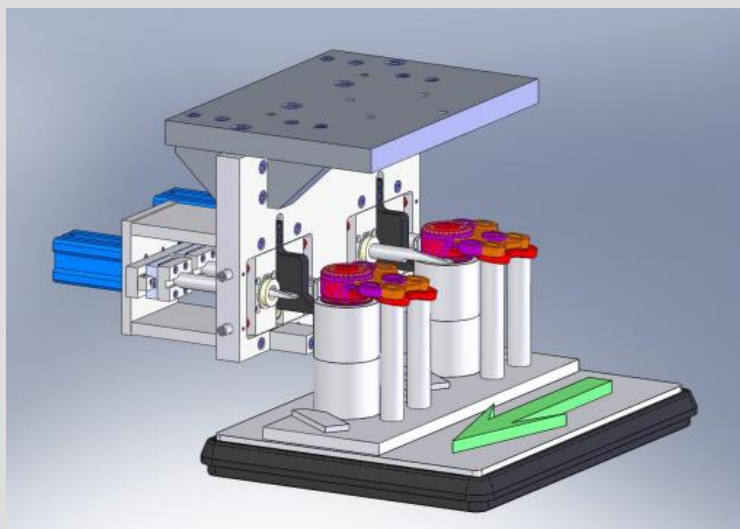
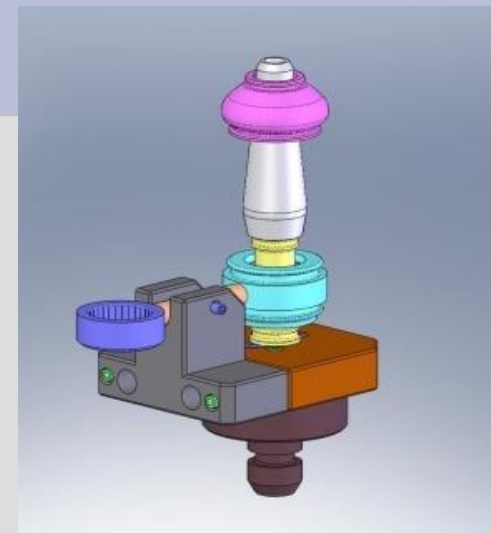
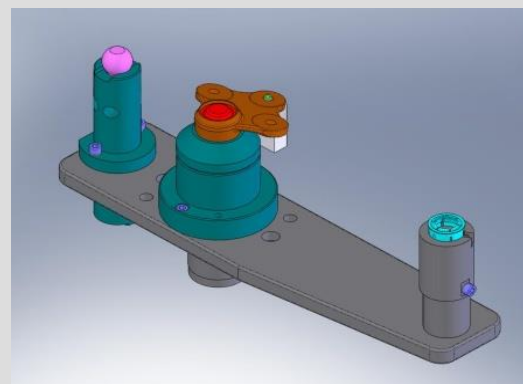
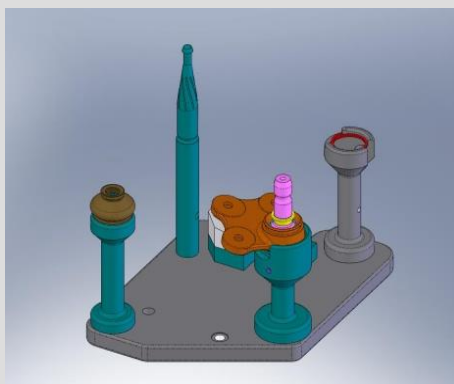
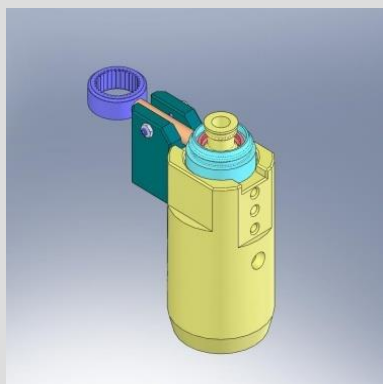
# ZF Levice – Slovakia – Projection, design and fabrication of machine for assembly of bellow seal



**Video sample**

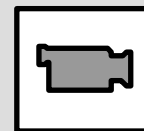
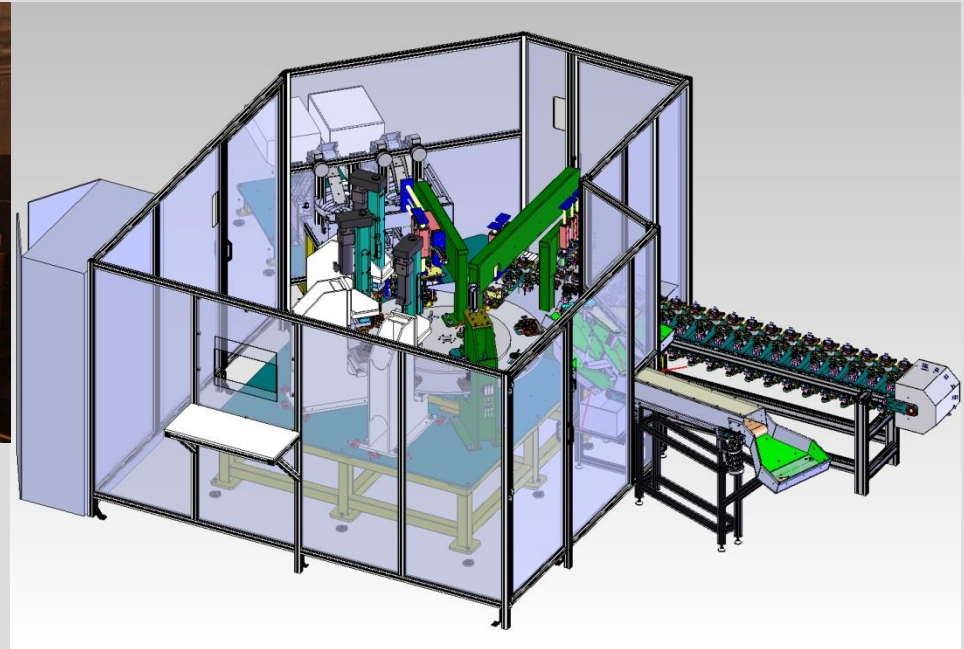


## ZF Levice – Slovakia – Modification and optimisation of automatic lines





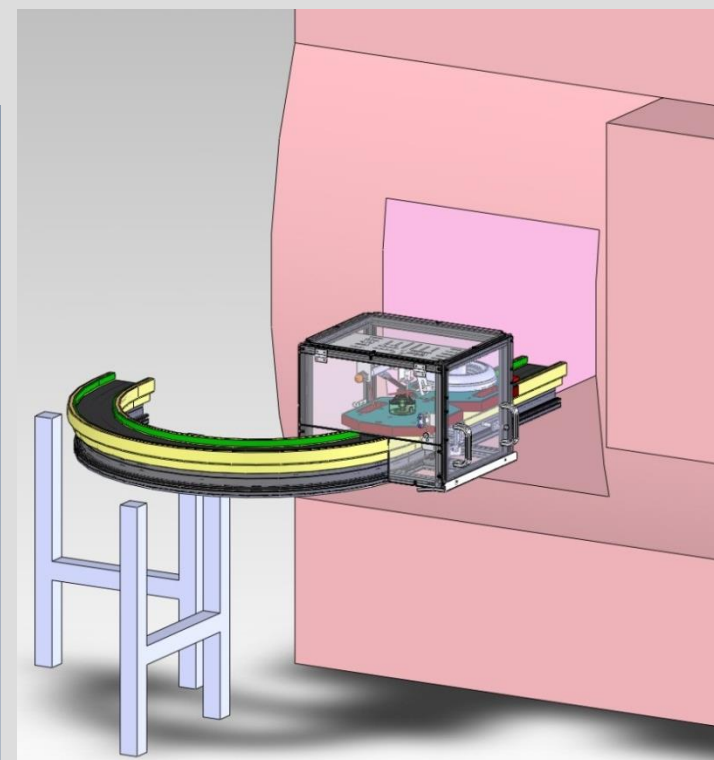
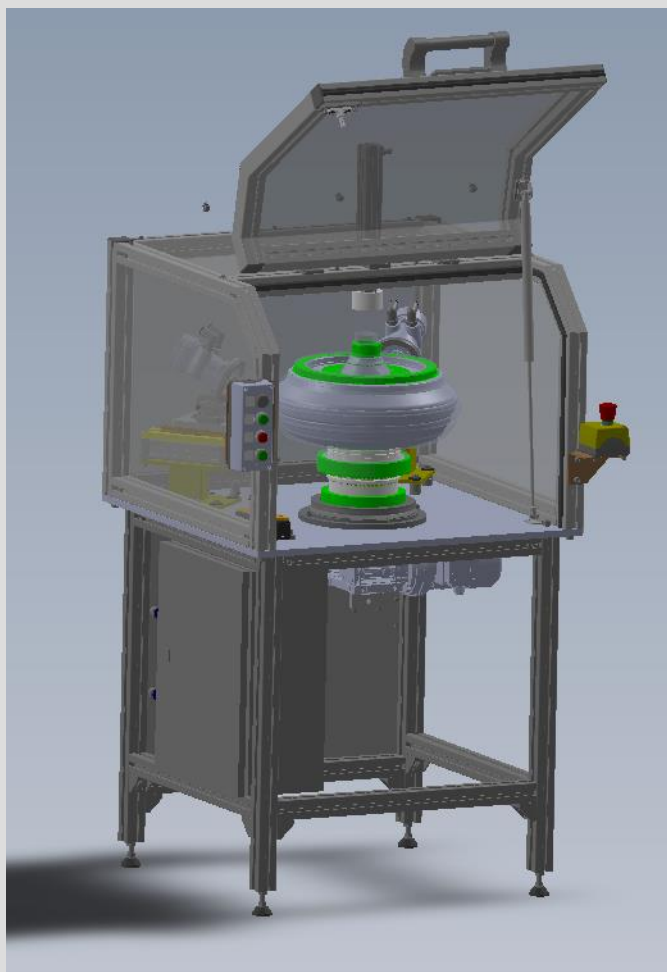
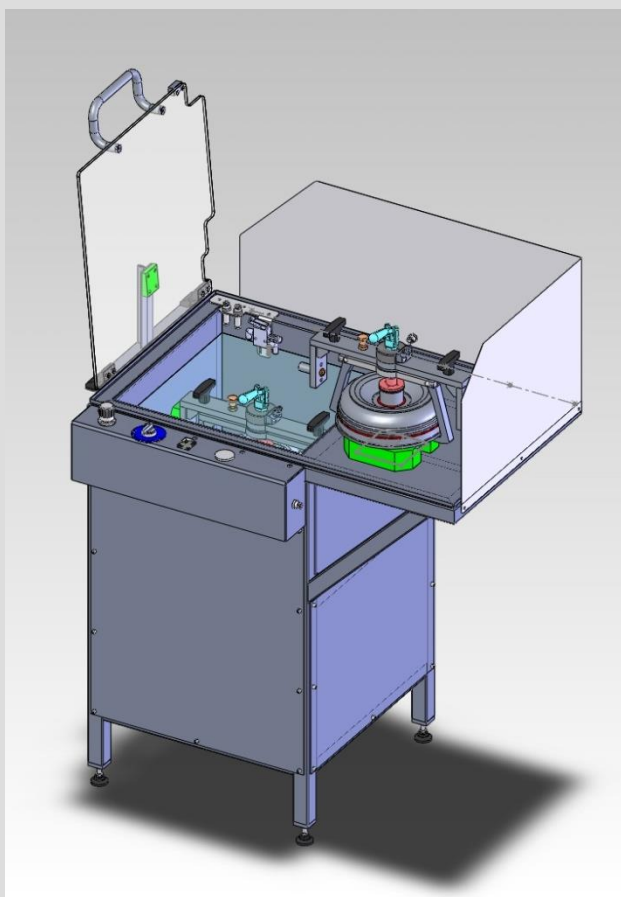
# ZF Levice – Slovensko – Projection, design and fabrication of machine for pressing 3 screws into a housing



**Video sample**

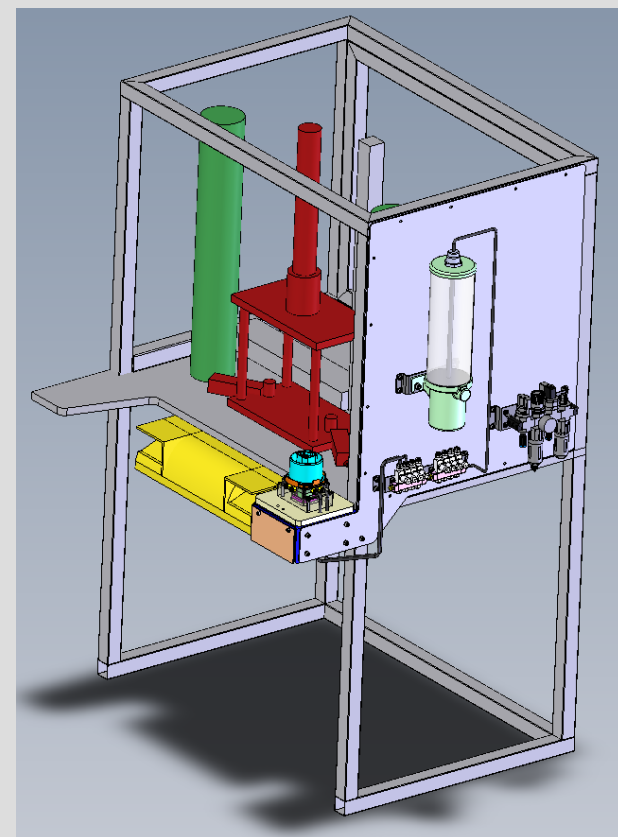
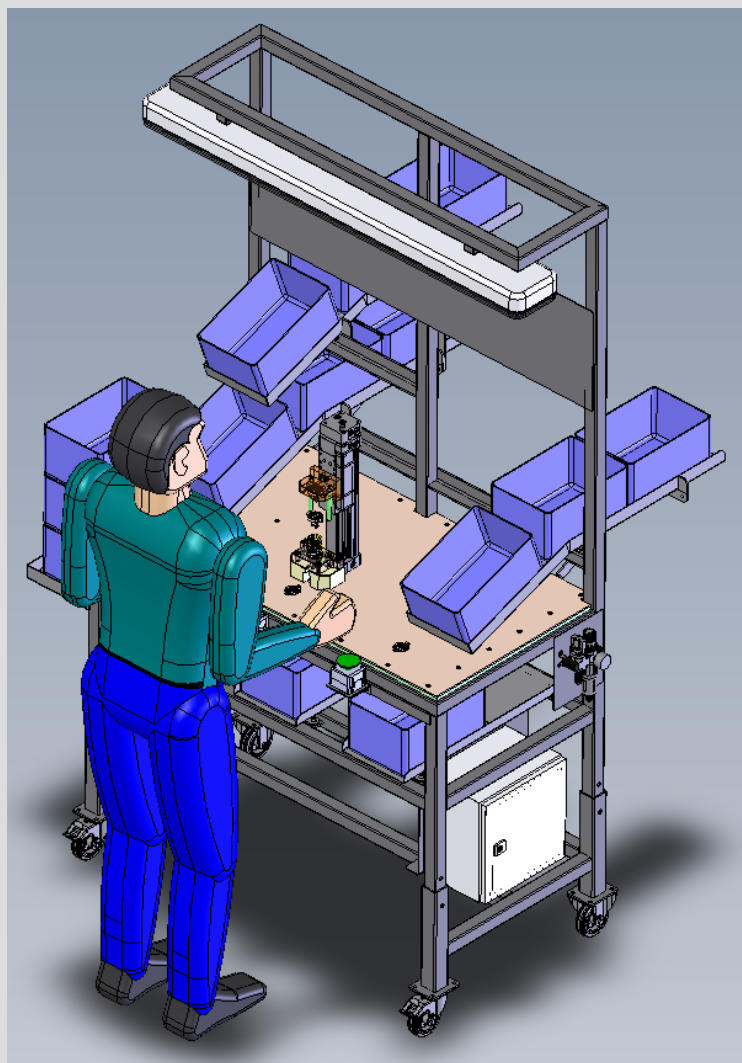
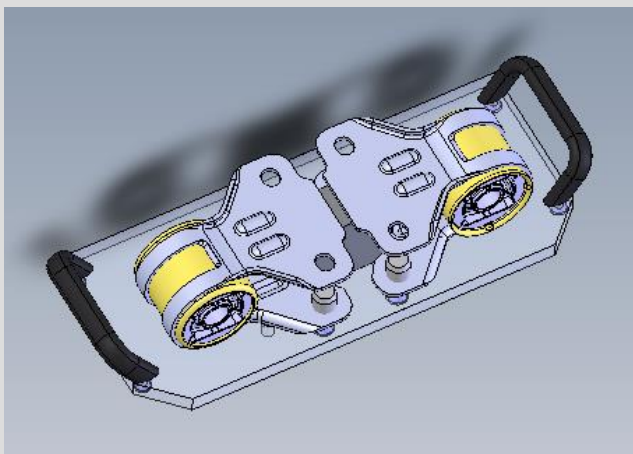


**SACHS Trnava – Slovensko** – leakage test station, weld cleaning station,

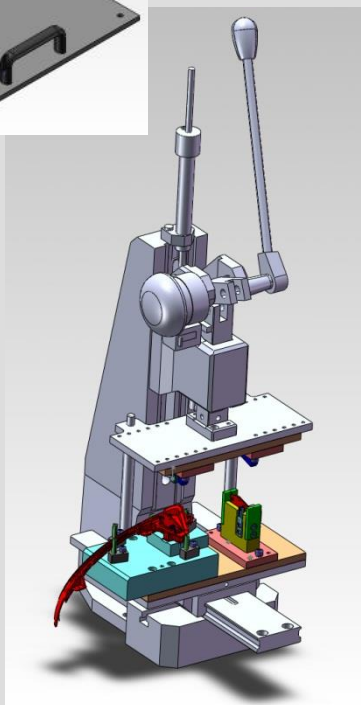
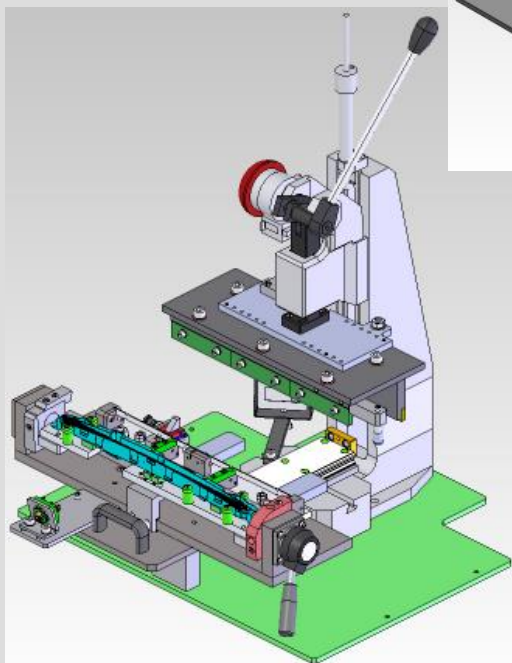
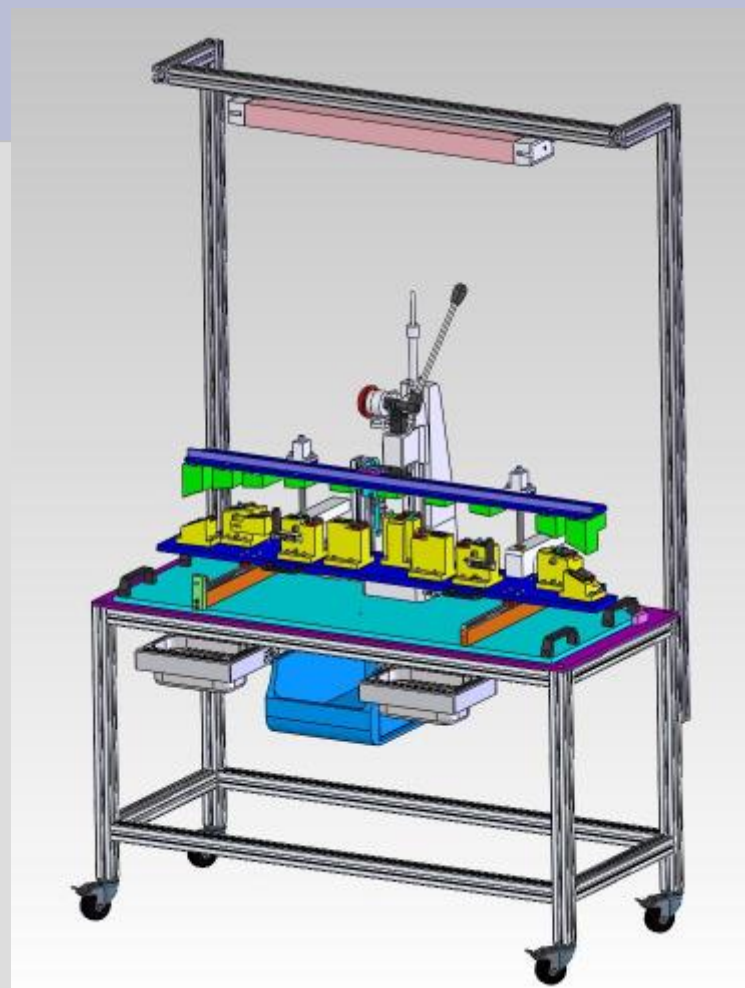
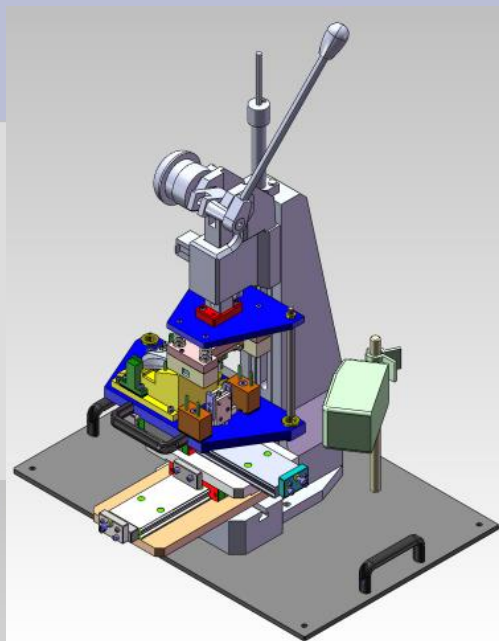




**BOGE Trnava – Slovensko** – pre-assembly station, greasing station

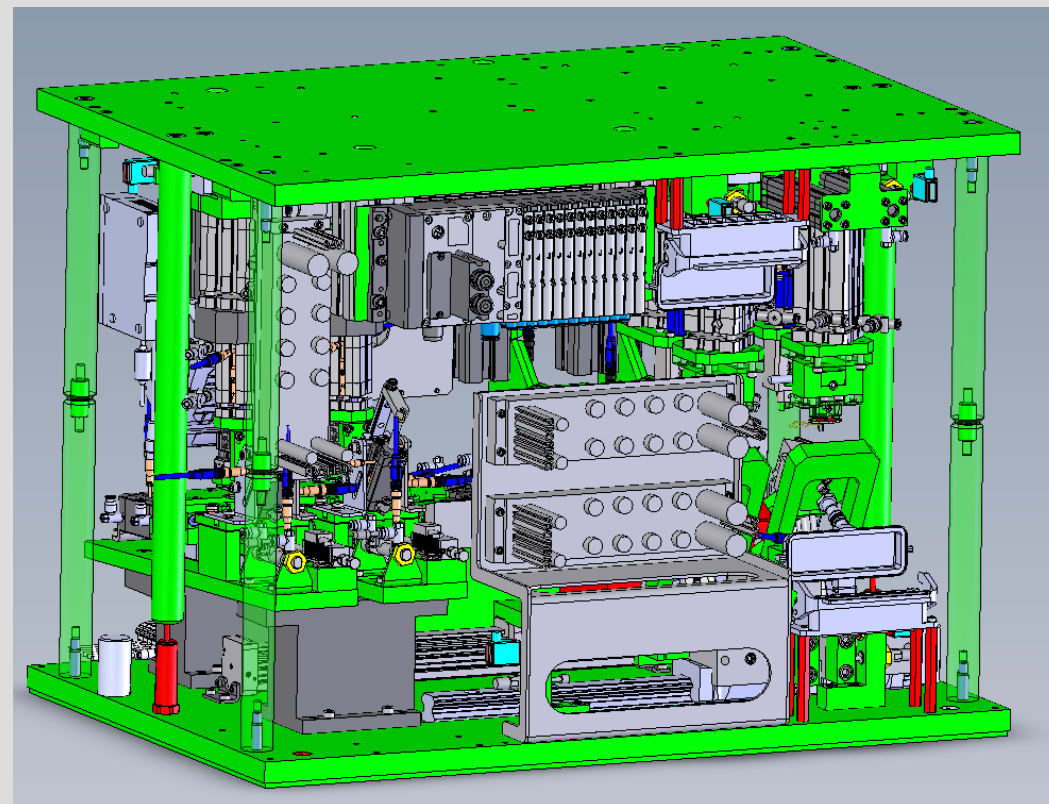
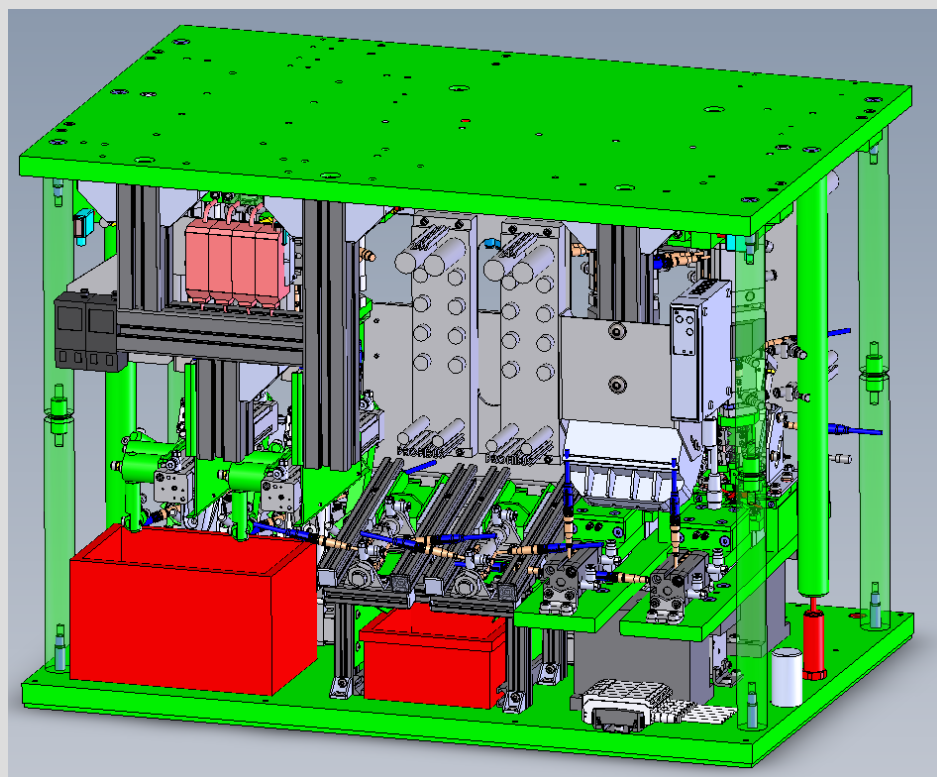


**HELLA – Slovensko** – light assembly stations

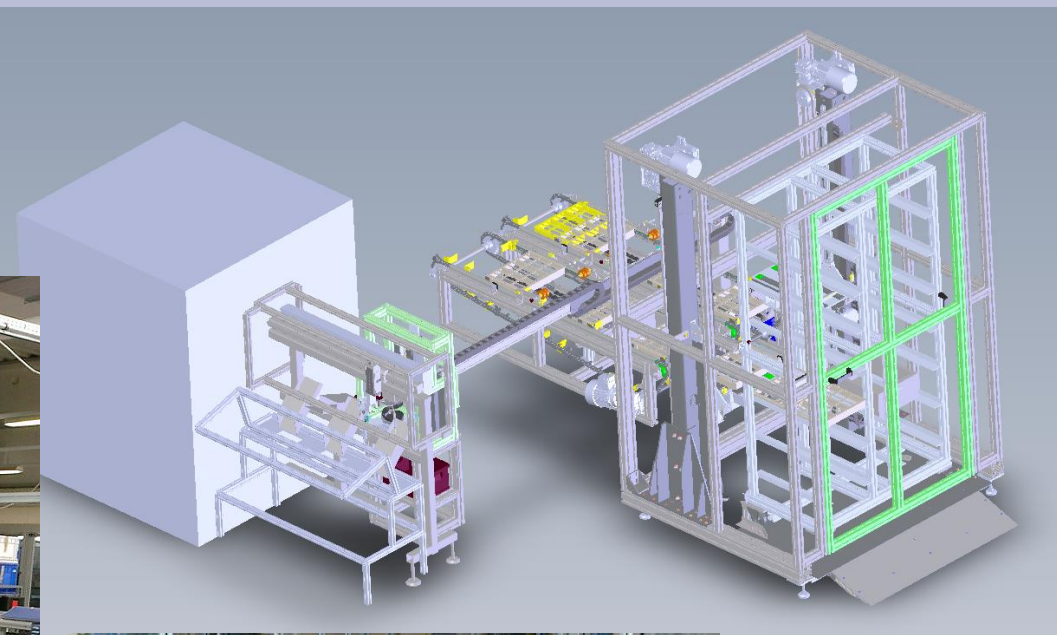




## HELLA – Slovensko - Full automatic light assembly device (DAIMLER)

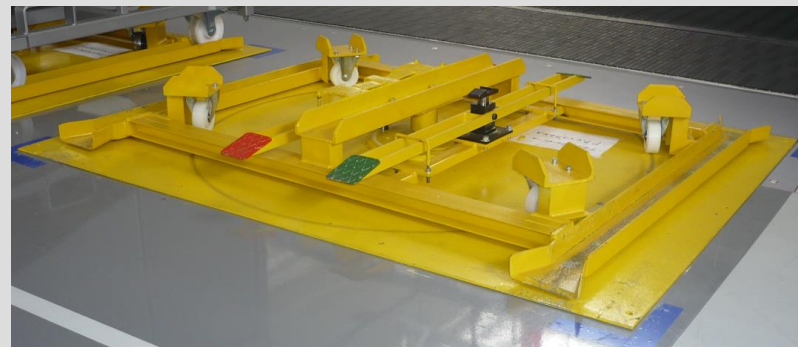
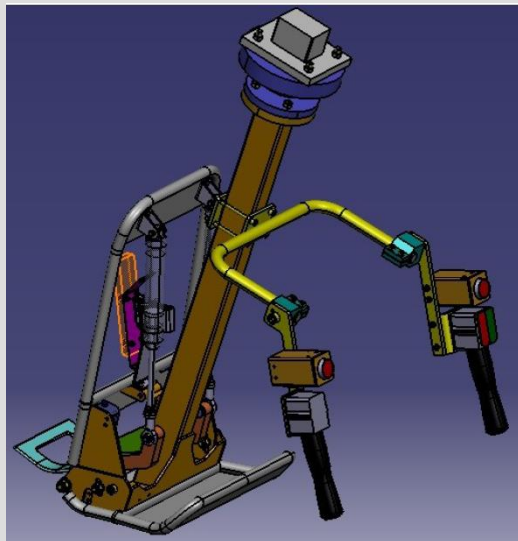
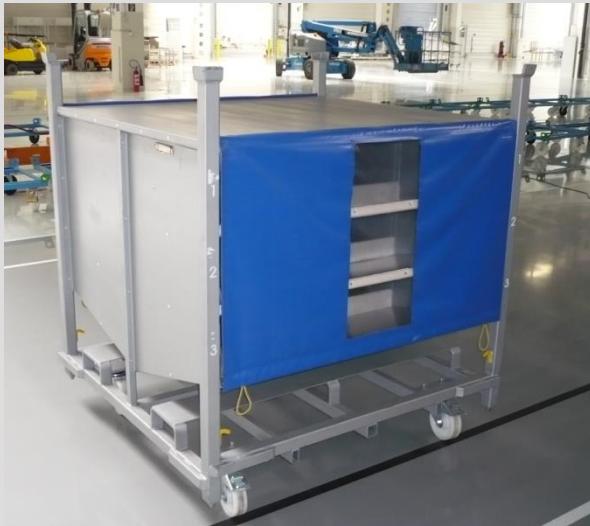


**HELLA – Slovensko** - Camera inspection machine for licence plate lamp (VW a AUDI ) with automatic storage system





**FAURECIA Lozorno** – JIT trolleys for VW UP, seat charging manipulator, turn table



**FAURECIA Lozorno** – modification Q7 seat fabrication lines for Q7NF





**PSA Trnava – Welding hall - Conveyors, platforms**



## ***Other realized projects :***

### ***ETDE - France***

- *Planning and production line for shock-absorber*
- *Parts production*
- *Support during start production*

### ***EURALTECH - France***

- *Planning, design and fabrication of production line in automotive industry*
- *Planning, design and dies manufacturing*
- *Technical support for Start production in Slovakia*

### ***BLISS-BRET - France***

- *Planning, design and fabrication of parts for stamping line*
- *Support during production start*
- *Translation of Technical documentation*





# Contact us :

Firm domicile in Trnava



**DS Systems s.r.o.**

**Belgická 3**

**917 01 Trnava**

**Slovakia**

**tel.+421 33 5 936 184**

**fax.+421 33 5 936 420**

**[info@dssystems.sk](mailto:info@dssystems.sk)**

**[www.dssystems.sk](http://www.dssystems.sk)**

